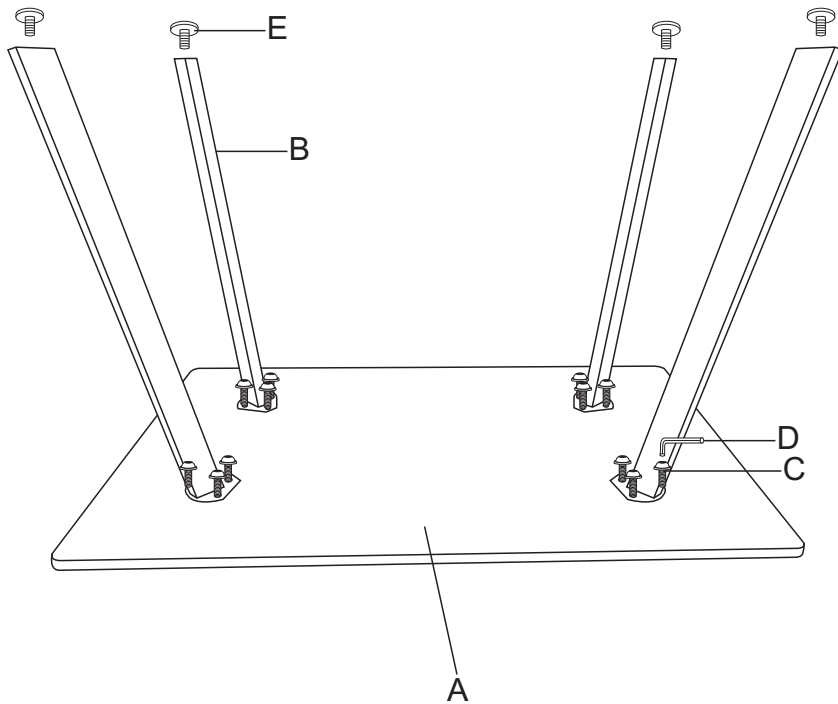
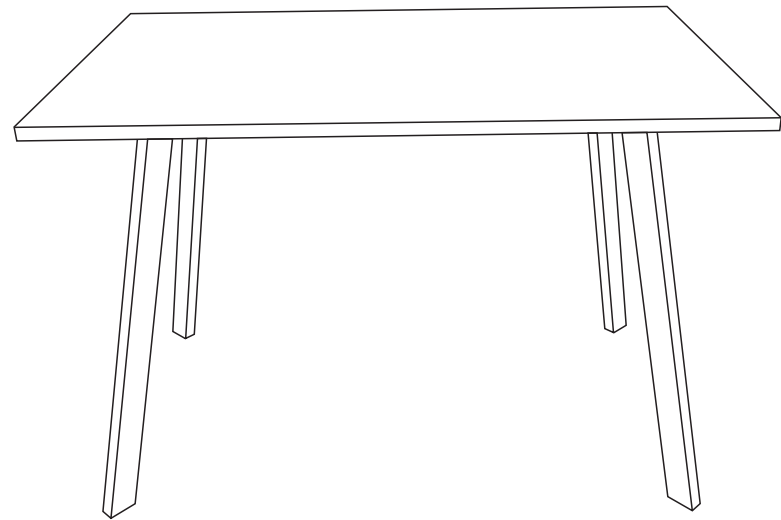


# ASSEMBLY INSTRUCTION

1.



2.



Ax1



Bx4



Cx12



Dx1



Ex4

